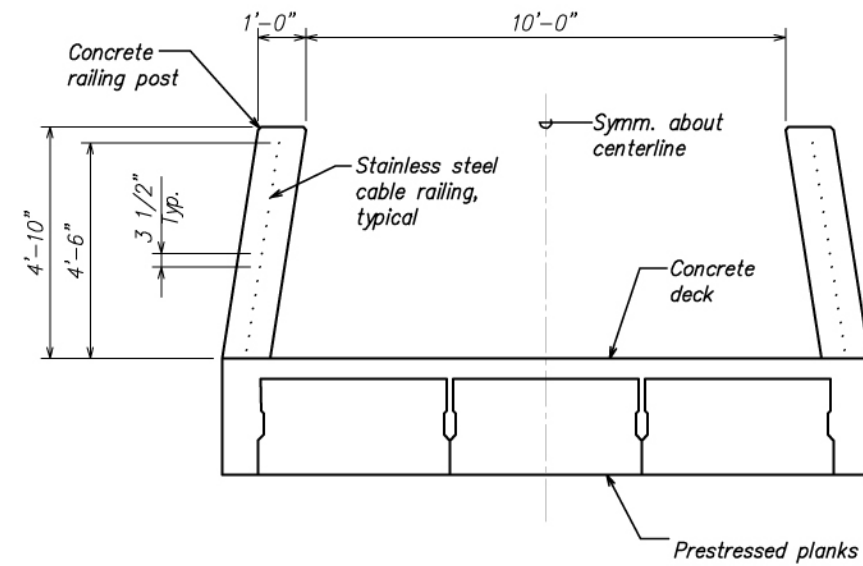
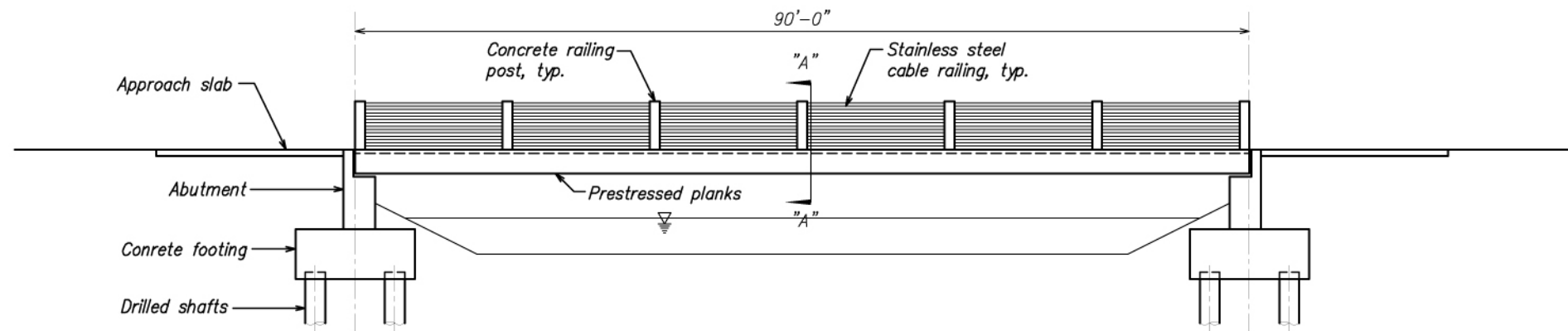


FED. ROAD DIST. NO.	STATE	PROJ. NO.	FISCAL YEAR	SHEET NO.	TOTAL SHEETS
HAWAII	HAW.	-	-	-	-



SECTION "A" - "A"
SCALE: 1/2" = 1'-0"



LONGITUDINAL SECTION - ALONG CENTERLINE STRUCTURE
SCALE: 1/8" = 1'-0"

STATE OF HAWAII
DEPARTMENT OF TRANSPORTATION
HIGHWAYS DIVISION
ALTERNATE IV
PRESTRESSED PLANKS BRIDGE
WITH CABLE RAILINGS

-
-
-

SCALE: As Noted DATE: -

SHEET No. S-4 OF - SHEETS

I:\Cad\1\ks0512004\40029 AHU-LYDG HANAMALU BRIDGE MDG110-30-05 SCHEMELH-S04 ALT 4.dwg, Layout1, 10/5/2005 2:23:38 PM.

SURVEY PLOTTED BY	DATE
DRAWN BY	DESIGNED BY
NOTES BOOK	QUANTITIES BY
PLANNED BY	CHECKED BY
No.	