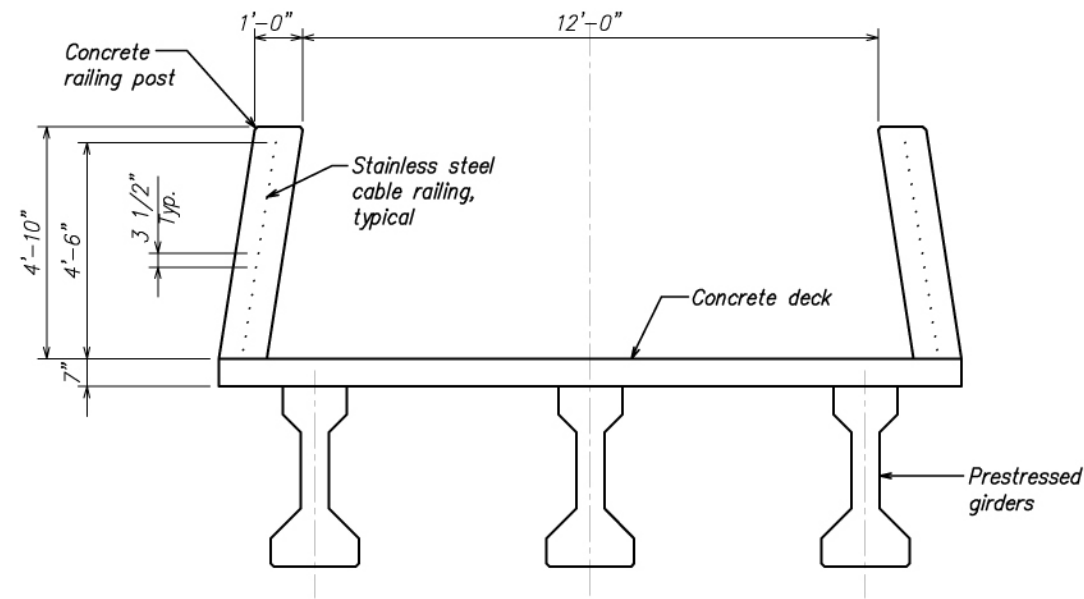
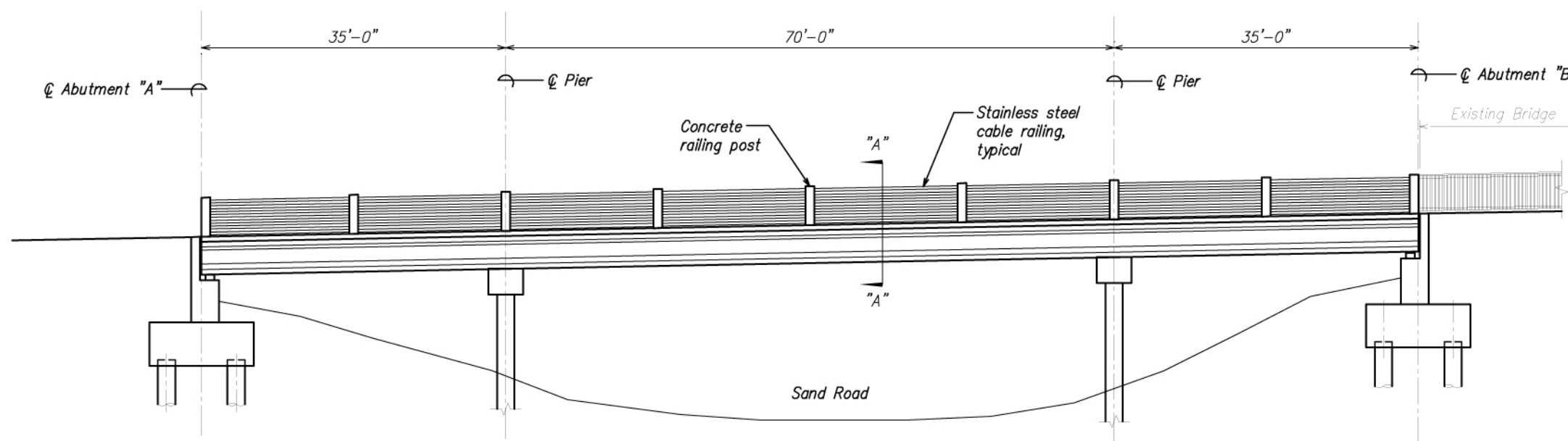


FED. ROAD DIST. NO.	STATE	PROJ. NO.	FISCAL YEAR	SHEET NO.	TOTAL SHEETS
HAWAII	HAW.	-	-	-	-



SECTION "A" - "A"
SCALE: 1/2" = 1'-0"



LONGITUDINAL SECTION - ALONG CENTERLINE STRUCTURE
SCALE: 1/8" = 1'-0"

STATE OF HAWAII
DEPARTMENT OF TRANSPORTATION
HIGHWAYS DIVISION
ALTERNATE II
PRESTRESSED GIRDER BRIDGE
WITH CABLE RAILINGS

SCALE: As Noted DATE: -

SHEET No. S-2 OF - SHEETS

I:\Cad\1\ksf05\2004\40029 AHU-LYDG HANAMALU BRIDGE MDG110-30-05 SCHEMELH-S02 ALT 2.dwg, Layout1, 10/5/2005 2:23:13 PM, ADOBE PostScript Level 2, Original

SURVEY PLATTED BY	DATE
DRAWN BY	
DESIGNED BY	
QUANTITIES BY	
CHECKED BY	
NOTES BOOK	
No.	