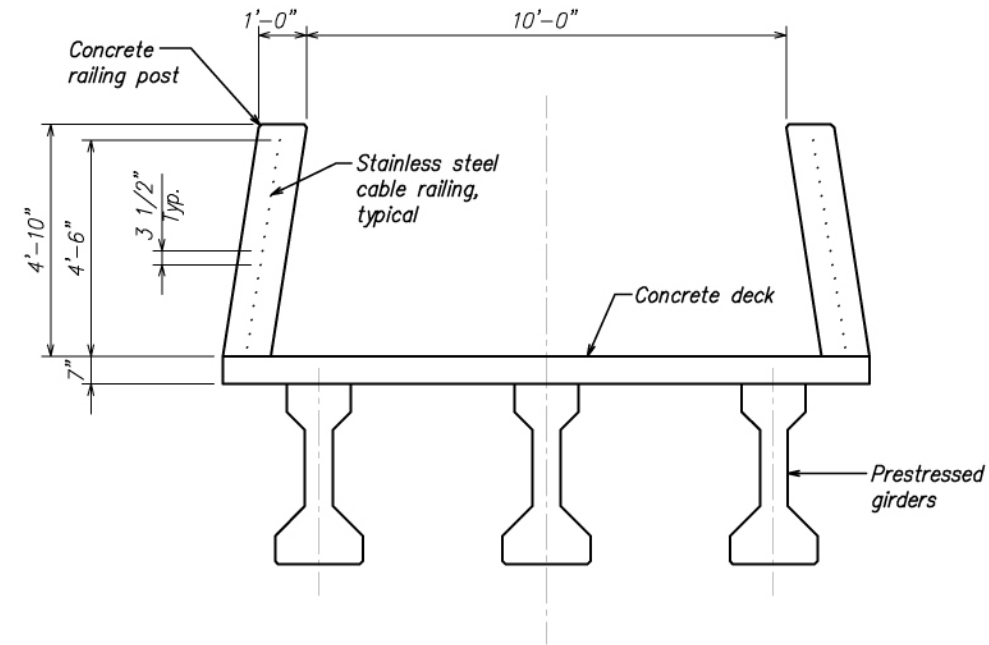
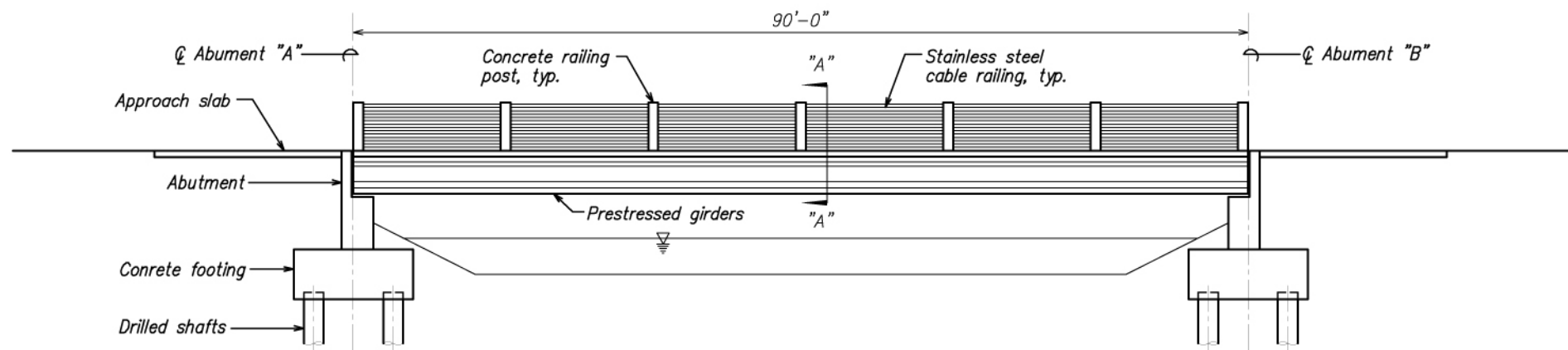


FED. ROAD DIST. NO.	STATE	PROJ. NO.	FISCAL YEAR	SHEET NO.	TOTAL SHEETS
HAWAII	HAW.	-	-	-	-



**SECTION "A" - "A"**  
SCALE: 1/2" = 1'-0"



**LONGITUDINAL SECTION - ALONG CENTERLINE STRUCTURE**  
SCALE: 1/8" = 1'-0"

SURVEY PLOTTED BY	DATE
DRAWN BY	DESIGNED BY
NOTES BOOK	QUANTITIES BY
ORIGINAL	CHECKED BY
FILED	No.

STATE OF HAWAII  
DEPARTMENT OF TRANSPORTATION  
HIGHWAYS DIVISION

**ALTERNATE V**  
**PRESTRESSED GIRDER**  
**WITH CABLE RAILINGS**

SCALE: As Noted      DATE: -

SHEET No. S-5 OF - SHEETS

I:\Cad\1\ks\05\2004\40029 AHU-LYDG HANAMALU BRIDGE MDG110-30-05 SCHEMELH-S05 ALT 5.dwg, Layout1, 10/5/2005 2:23:49 PM, ADOBE PostScript Level 2, Original